



POWERTURBINES

ENERGY FROM WATER

NANOTURBINE



www.powerturbines.eu

TURBINES

NANOTURBINE

Features

- Installation in parallel with pressure reducing valves (PRVs) or in any point of the water network with a pressure drop available.
- Designed for 12V lead-acid battery charging (up to 45 Amp-hour of capacity)
- Up to 20W of output power (equivalent to 1,5 amps of battery charge current)
- Rated flow 0.8 liters/second and 2 bar of pressure drop.
- Inlet and outlet threaded connection 1/2" diameter.
- Manufactured in high resistance polyamide plastic.
- Maximum pressure 10bar.
- Compatible with drinking or irrigation water.
- 100% water proof (IP68)
- High efficiency three-phase permanent magnet generator.
- IP66 control box with battery charge controller (dimensions 330x250x150mm)
- Solenoid valve for automatic open/close depending on the battery state of charge.
- 24V output with a 12-24 VDC converter (optional)

Advantages

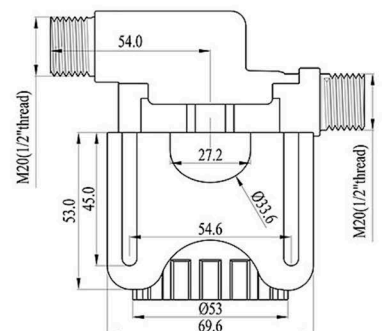
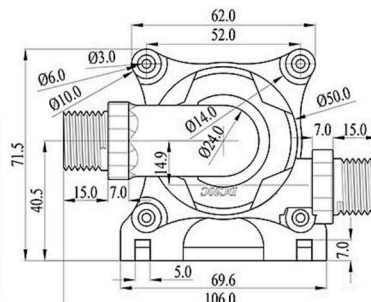
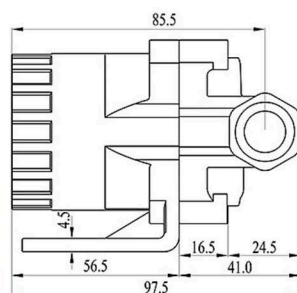
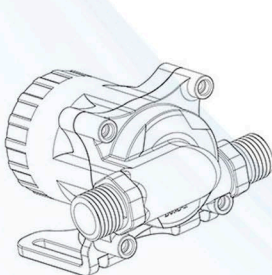
- The perfect solution for energy supply in small monitoring equipment like dataloggers, flow meters, pressure sensors, etc.
- Easy installation in parallel with a pressure reducing valve.
- Maintenance free and high life span.
- Automatic solenoid valve included: the turbine only works when the battery has to be charged.
- Very low noise level (40dB)
- Hidden installation in the same chamber than the pressure reducing valve.
- Daily energy production equivalent to a 120W solar panel.



NANOTURBINE

CONSTRUCTIVE DETAILS

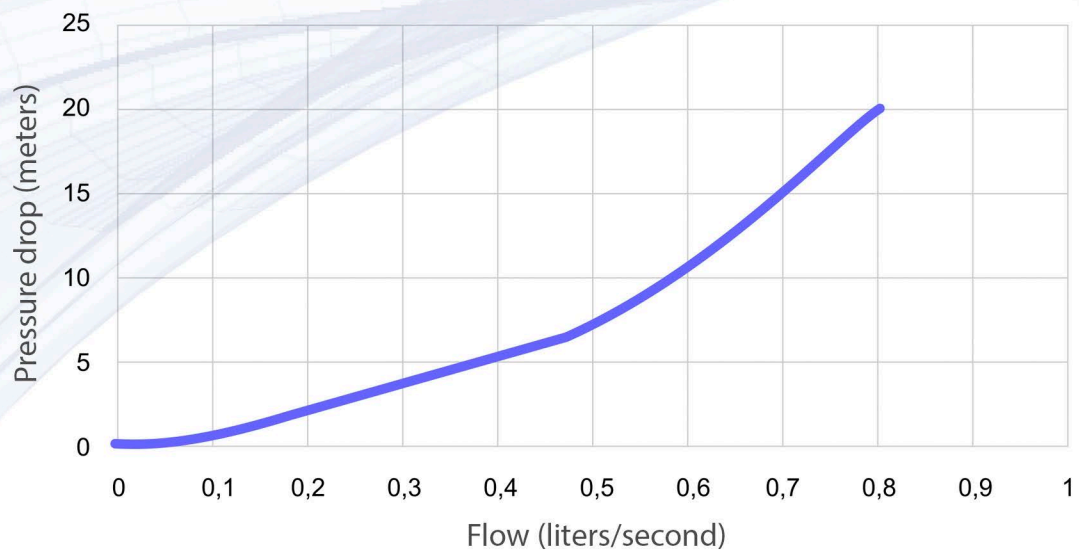
1. Fixing screws
2. Shell
3. Foundation
4. Impeller
5. Sealing ring
6. Ceramic Shaft
7. Generator body
8. Isolation layer
9. Stator Coil
10. Shell



TURBINES NANOTURBINE

OPERATING CURVES

Flow - Pressure drop



Flow - Power

